

INSTALLATION INSTRUCTIONS

P23013-CR, P23013-LV, P23123-LV,
P23223-RK, P23223-LV, P24113-CR,
P24113-LV, P24118-CR, P24118-LV,
P24423-CR, P24423-LV, P24523-TT,
P24623-CR, P24623-LV

INSTALLATION INSTRUCTIONS

THANK YOU FOR CHOOSING KALLISTA

We appreciate your commitment to KALLISTA quality products. Please take a moment to review this manual before you install your KALLISTA product. If you encounter any installation or performance problems, please do not hesitate to contact us at the phone number listed at the bottom of the page.

BEFORE YOU BEGIN

- Please read all instructions before you begin.
- The appearance of your product may differ from what is shown in these instructions, however, the installation procedure is the same.
- Shut off the main water supply.
- Observe all local plumbing and building codes.
- Before installation, unpack the new Volume Control Valve Trim and inspect it for damage. Return it to the carton until installation.
- KALLISTA reserves the right to make revisions in the design of faucets without notice, as specified in the Price Book.

TOOLS AND MATERIALS



Screwdriver

INSTALLATION INSTRUCTIONS

1. INSTALL THE VALVE STEM ADAPTER

NOTE: Check the finished wall surface as related to the graphics on the plaster guard.

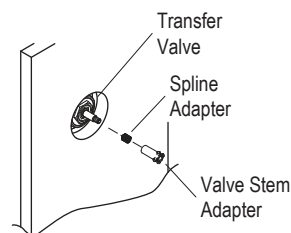
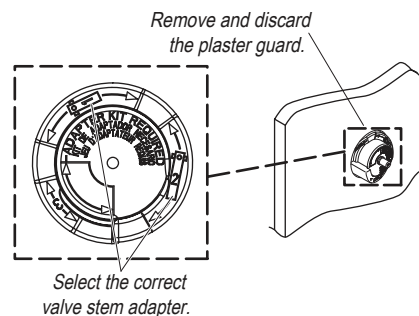
- Select the correct length valve stem adapter and valve stem adapter screw for your application. Refer to the information stamped on the plaster guard to verify the wall thickness.

For a thin wall - 3/16" (5 mm) to 9/16" (1.4 cm): use the 7/8" (2.2 cm) (short size) valve stem adapter, stamped "3" on the plaster guard, and the 3/4" (1.9 cm) screw.

For a standard wall - 9/16" (1.4 cm) to 1-1/16" (2.70 cm): use the 1-3/8" (3.5 cm) (middle size) valve stem adapter, stamped "1" on the plaster guard, and the 1-3/8" (3.5 cm) screw.

For a thick wall - 1-1/16" (2.7 cm) to 1-9/16" (4 cm): use the 1-7/8" (4.8 cm) (long size) valve stem adapter, stamped "2" on the plaster guard, and the 1-3/4" (4.4 cm) screw.

- Remove and discard the plaster guard from the volume control.
- Place the spline adapter over the valve stem.
- Set the correct valve stem adapter over the valve stem. **Do not completely press or screw the valve stem adapter into place until instructed to do so.**



INSTALLATION INSTRUCTIONS

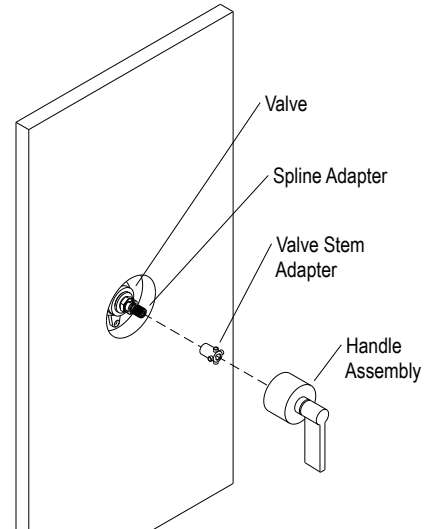
2. ADJUST THE HANDLE ASSEMBLY

- Ensure the valve stem adapter is lightly placed over the spline adapter.
- Place the handle assembly over the valve stem adapter.
- Turn the handle assembly counterclockwise until the valve is fully closed. The handle will be in the vertical, 6 o'clock, position.
- Remove the handle assembly and set aside.

To adjust for handle alignment:

NOTE: The spline adapter allows fine adjustment of the handle alignment.

- Remove the handle assembly and the valve stem adapter.
- Reposition the spline adapter.
- Reinstall the handle assembly and the valve stem adapter.
- Check the alignment. Repeat this procedure until the handle alignment is satisfactory.



3. INSTALL THE TRIM

- Firmly press the valve stem adapter onto the valve stem.
- Secure the valve stem adapter to the valve with the correct length screw, as selected in the "Install the Valve Stem Adapter" section of this guide.
- Align the holes on the front plate assembly and the valve.

NOTE: Be sure to select the correct length screw for your application.

- Attach the two screws through the front plate assembly and into the valve. Do not overtighten.
- Visually inspect the front plate assembly to ensure that the foam seal is completely covering the wall opening. If not, stop the installation and repair the wall opening.
- Orient the escutcheon on the wall with the drain notch located downward in the 6 o'clock position.
- Align the handle as desired and thread the handle assembly onto the hub of the front plate assembly to secure the escutcheon in place. Lever handles should be aligned so that the lever is in the vertical 6 o'clock position.

NOTE: If the handle does not engage the valve or the escutcheon does not tighten to the wall, replace the valve stem adapter with an adapter of appropriate length.

